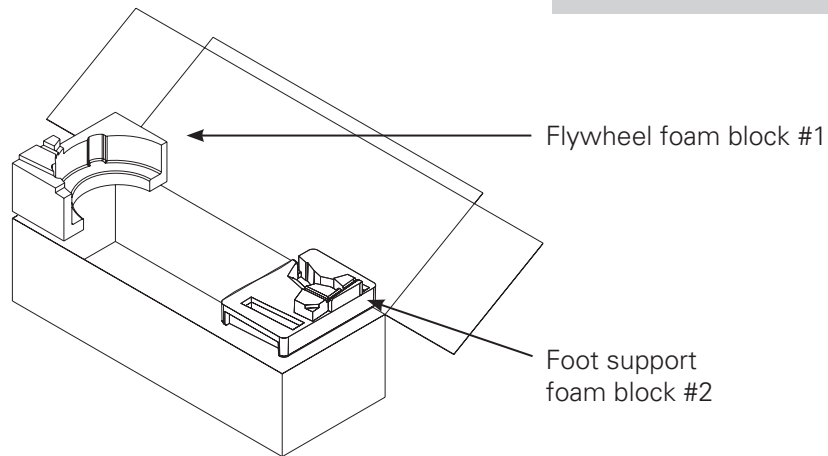


# REBOXING MODEL E INDOOR ROWER

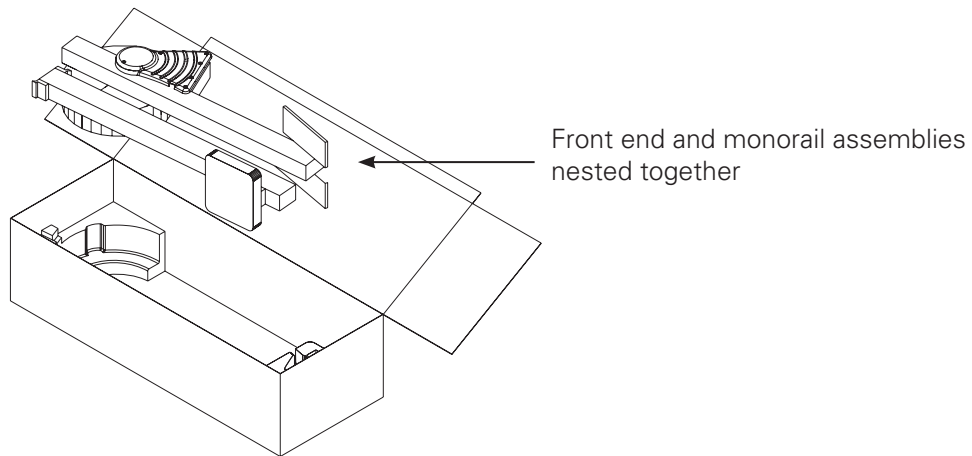
## REBOXING BOX 1

TOOLS NEEDED: 6 lobe driver, packing tape

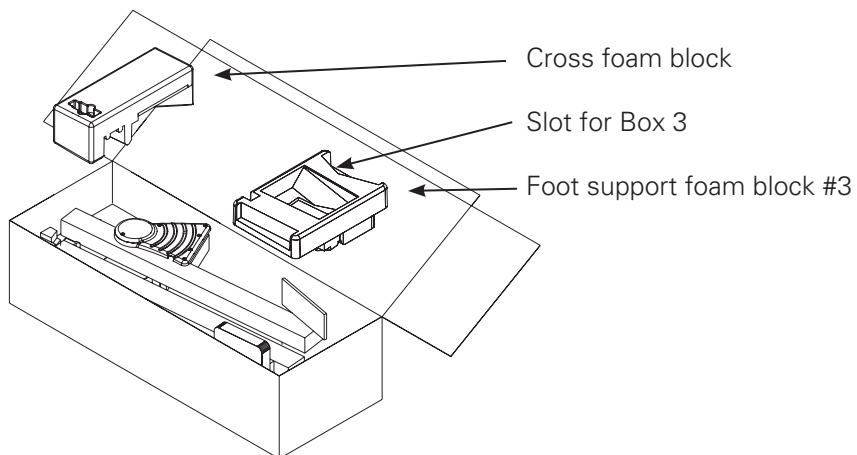
1



2



3

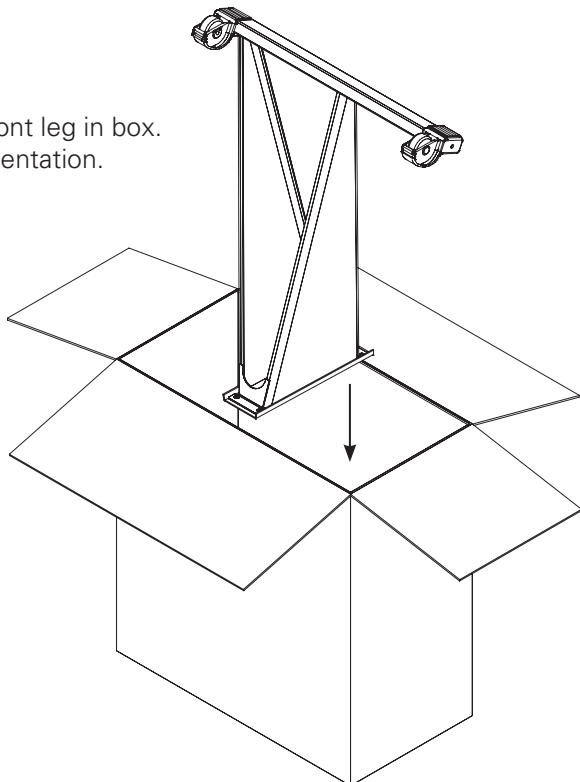


# REBOXING MODEL E INDOOR ROWER

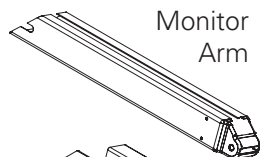
## REBOXING BOX 2

1

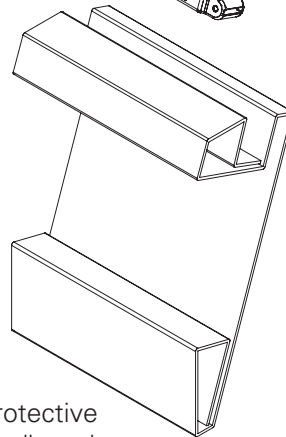
Place front leg in box.  
Note orientation.



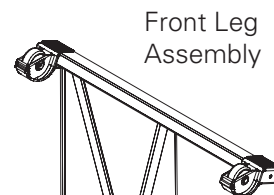
### BOX 2 Contents



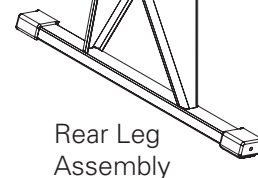
Monitor Arm



Protective cardboard (shown folded)



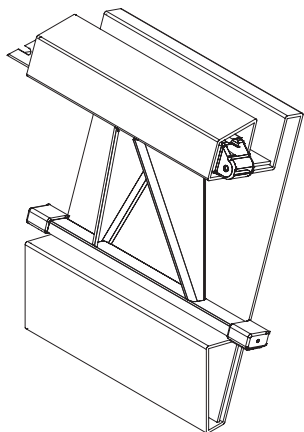
Front Leg Assembly



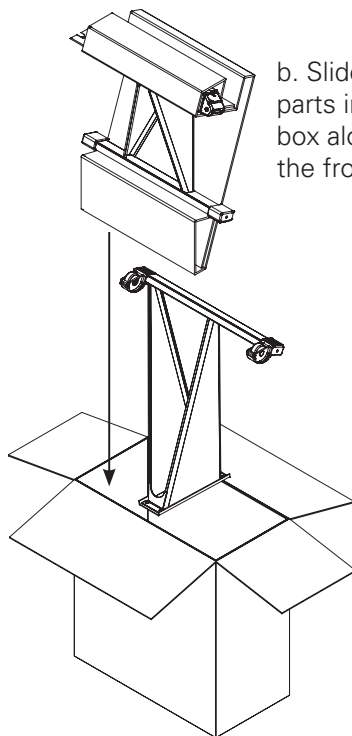
Rear Leg Assembly

2

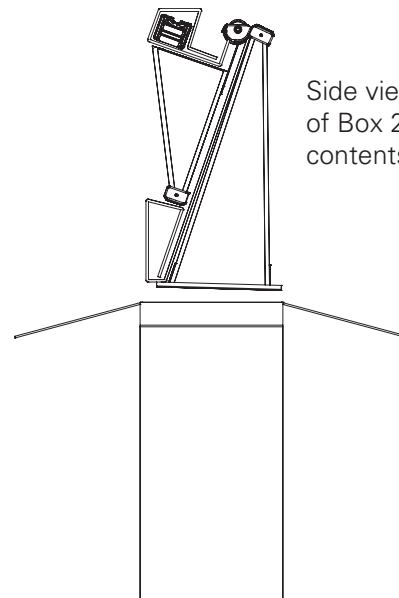
a. Place rear leg and monitor arm in folded cardboard as shown, noting their orientation.



b. Slide these parts into the box alongside the front leg.



Side view of Box 2 contents.



### REBOXING BOX 3

Repack Box 3 items, taking care to protect the PM4. Place Box 3 monitor side DOWN into slot in foam in Box 1. See Step 3 on other side for Box 3 location.