

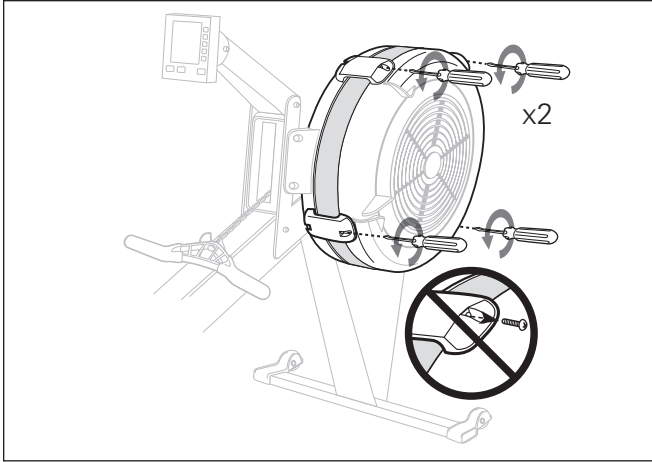
FLYWHEEL OPENING AND CLEANING - MODEL D & E

0612

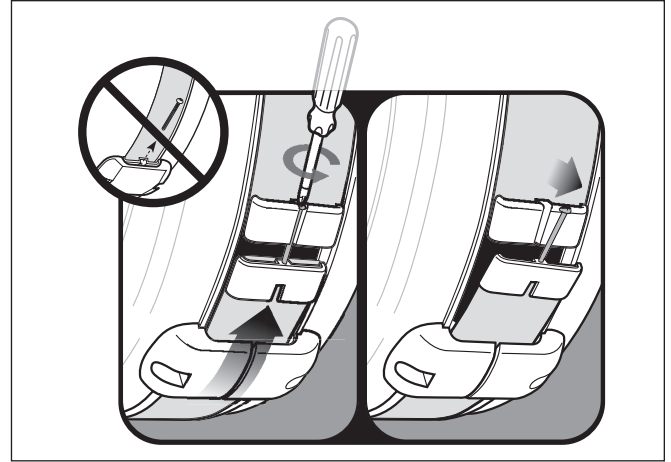
TOOLS



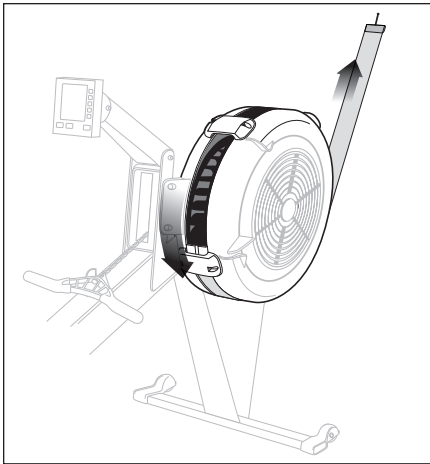
After every 250 hours of use, vacuum flywheel if needed.



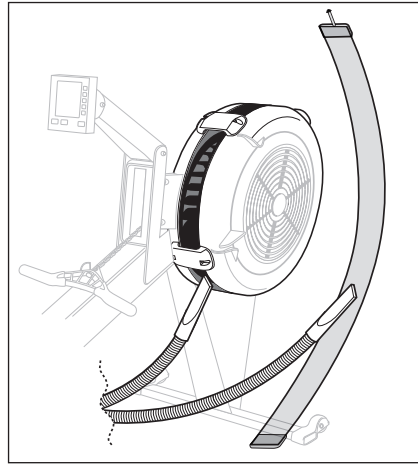
1. Loosen four screws. Do not remove.



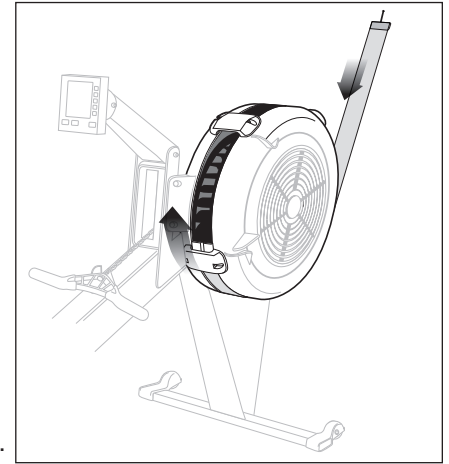
2. Loosen one screw. Do not remove.



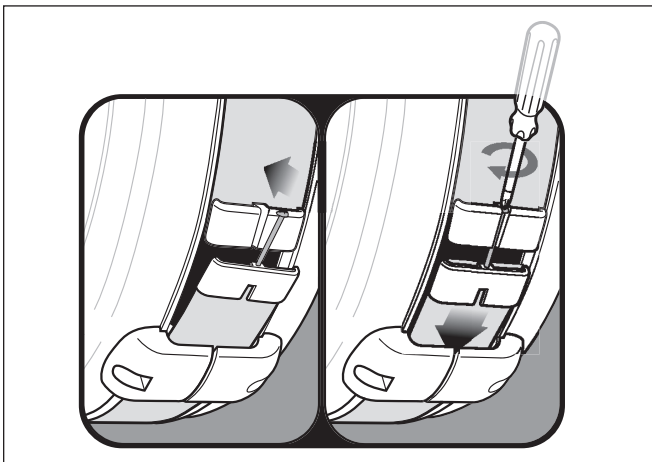
3.



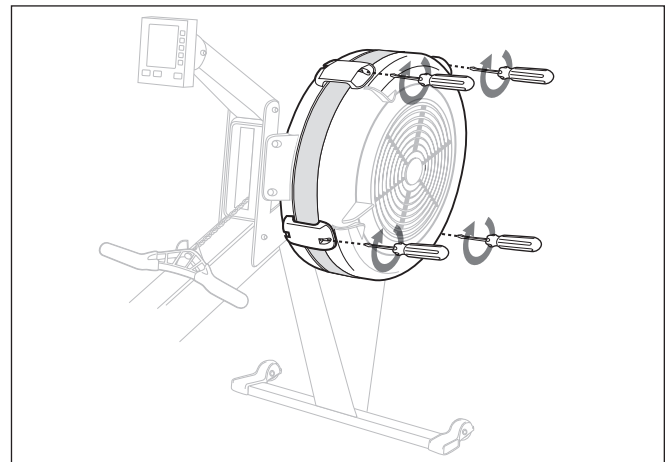
4.



5.



6.



7.